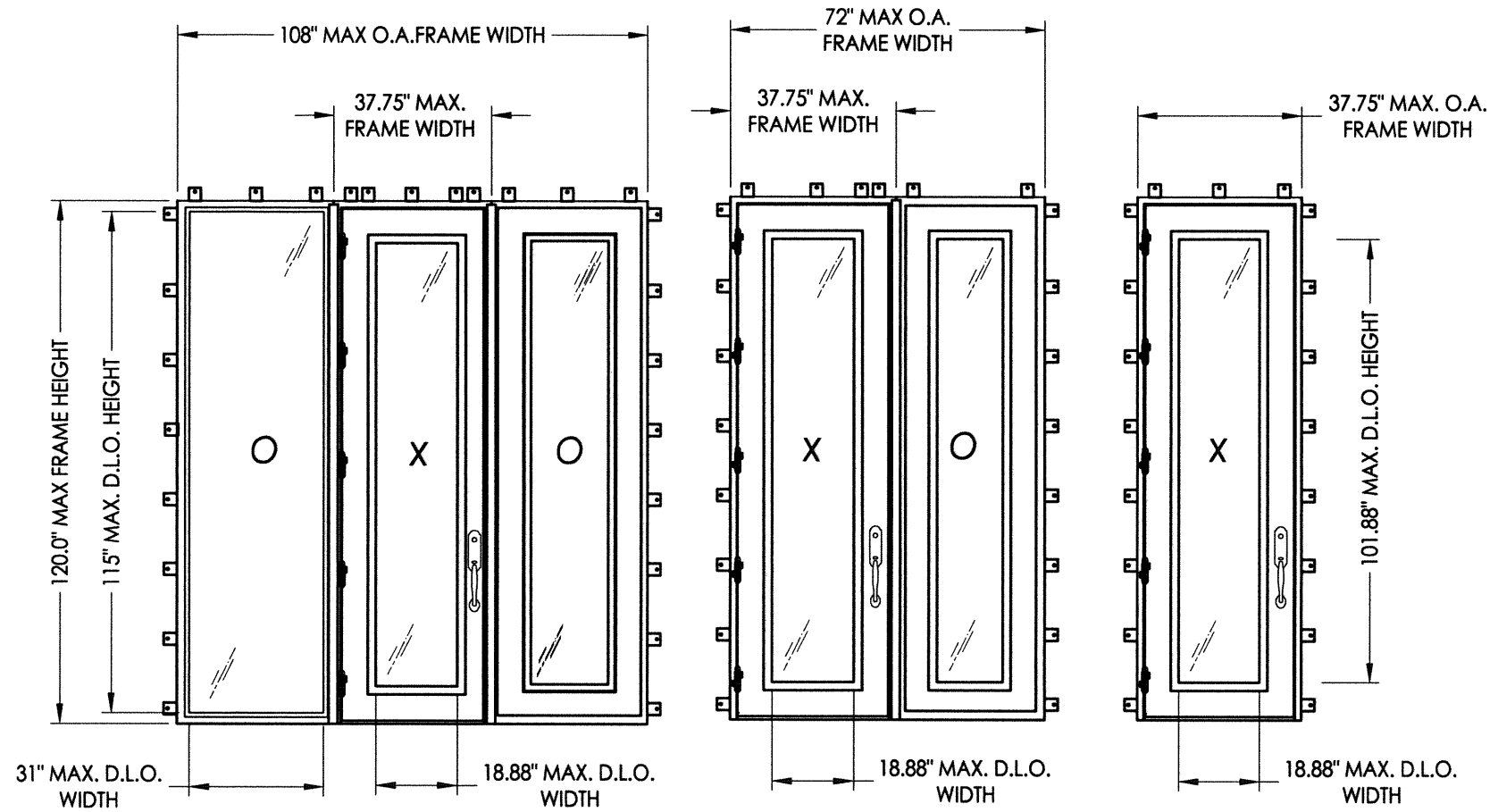


Clark Hall Iron Doors

GLAZED IRON SINGLE DOOR w/ & w/out SIDELITES

IN SWING/OUT SWING "IMPACT"



GENERAL NOTES

- This product has been evaluated and is in compliance with the 2010 Florida Building Code (FBC) structural requirements excluding the "High Velocity Hurricane Zone" (HVHZ).
- Product anchors shall be as listed and spaced as shown on details. Anchor embedment to base material shall be beyond wall dressing or stucco.
- When used in areas requiring wind borne debris protection, this product complies with Section 1609.1.2 of the FBC and does not require an impact resistant covering. This product meets missile level "D" and includes Wind Zone 4 as defined in ASTM E1996 and Section 1609.1.2.4 of the FBC.
- For 2x stud framing construction, anchoring of these units shall be the same as that shown for 2x buck masonry construction.
- Site conditions that deviate from the details of this drawing require further engineering analysis by a licensed engineer or registered architect.

TABLE OF CONTENTS	
SHEET#	DESCRIPTION
1	Typical elevations, design pressures, & general notes
2	Door panel details
3	Sidelite panel details
4	Glazing details
5	Elevations
6	Horizontal cross sections
7	Vertical cross sections
8	Buck anchoring
9	Frame anchoring
10	Components
11	Bill of materials & components

CONFIGURATION	OVERALL FRAME DIMENSION	DESIGN PRESSURE (PSF)			
		IN SWING		OUT SWING	
		POS.	NEG.	POS.	NEG.
X	37.75" x 120.0"	+75.0	-75.0	+75.0	-75.0
OX or XO	72.0" x 120.0"	+75.0	-75.0	+75.0	-75.0
OXO	72.0" x 120.0"	+75.0	-75.0	+75.0	-75.0

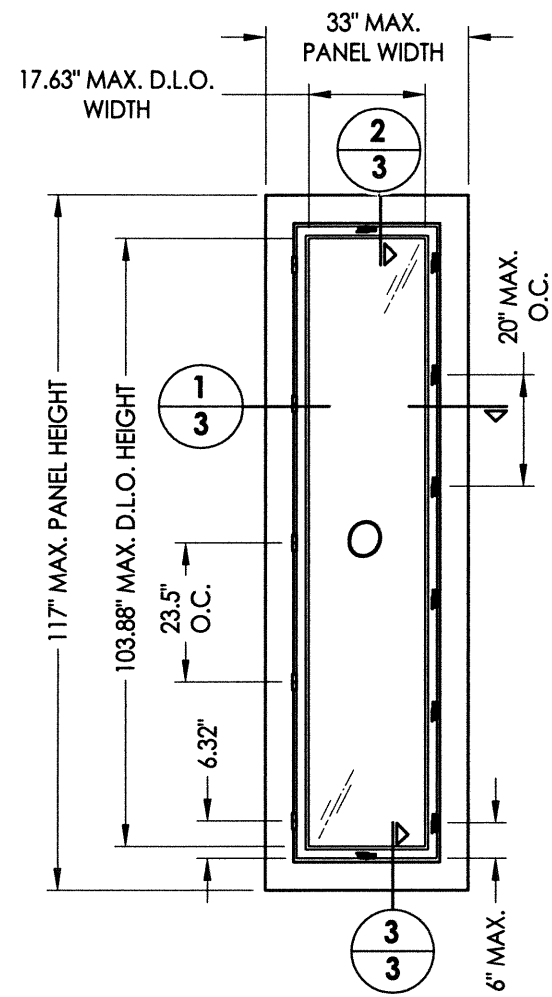
NOTE: See Sheets 4 & 5 for glazing and lock hardware design pressure limitations.

Documents Prepared By:
RW BUILDING CONSULTANTS, INC.
 P.O. Box 230 Valrico FL 33595
 Phone No.: 813.659.9197
 Florida Board of Professional Engineers
 Certificate Of Authorization No. 9813
 17R 12-30-13
 Lyndon F. Schmidt, P.E. No. 43409

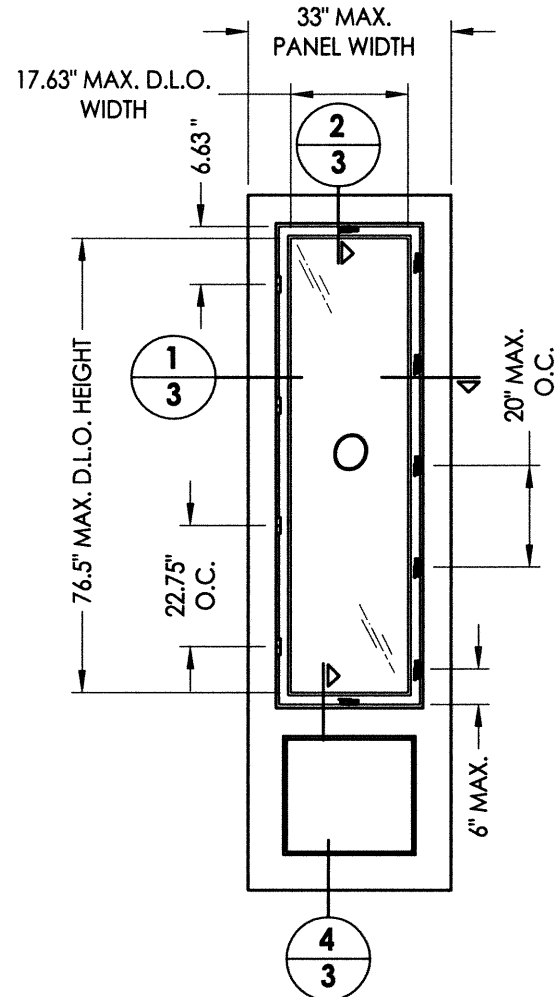
PRODUCT: CLARK HALL IRON DOORS
 PART OR ASSEMBLY: TYPICAL ELEVATIONS, DESIGN PRESSURES & GENERAL NOTES

NO.	DATE	BY	REVISIONS

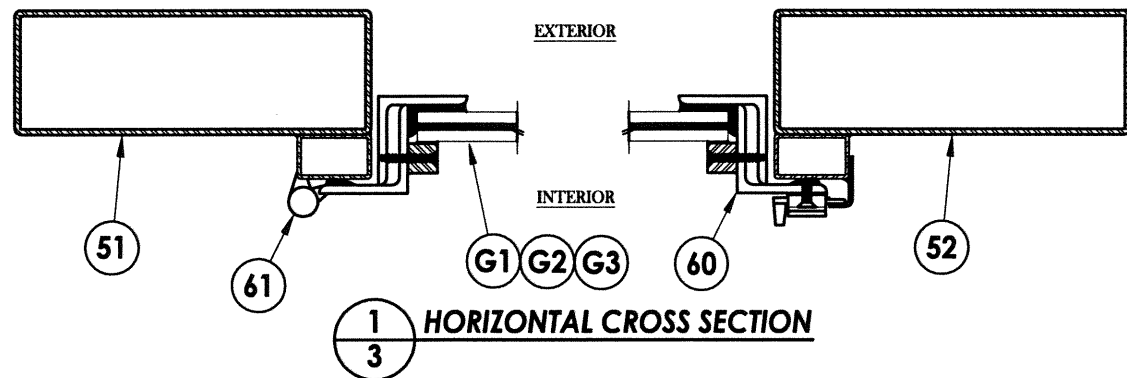
DATE: 10/30/13
 SCALE: N.T.S.
 DWG. BY: JK
 CHK. BY: LFS
 DRAWING NO.: FL-16663.8
 SHEET 1 OF 11



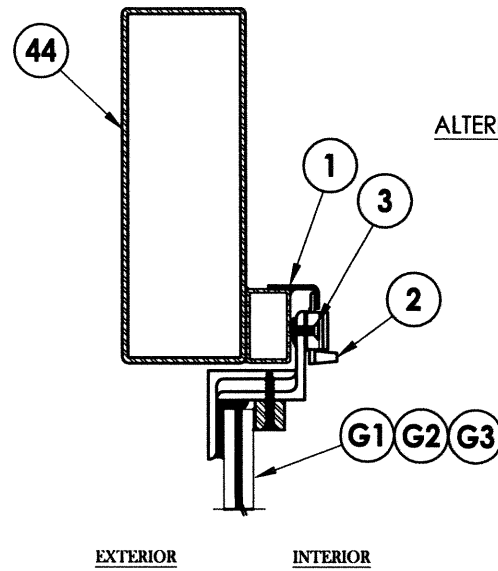
50 SIDELITE PANEL
w/ Operable Sash



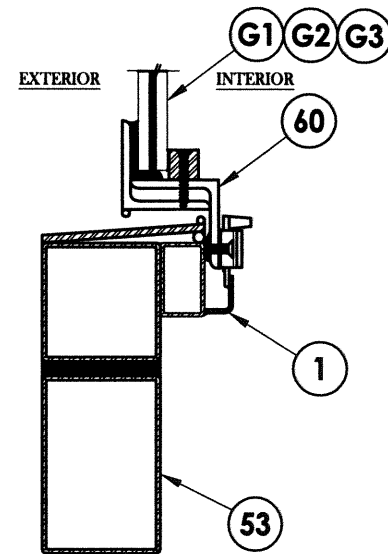
55 3/4 SIDELITE PANEL
w/ Operable Sash & Fixed Panel



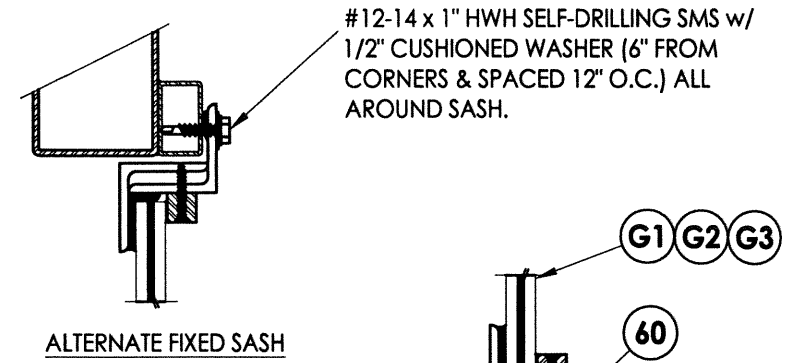
1 HORIZONTAL CROSS SECTION



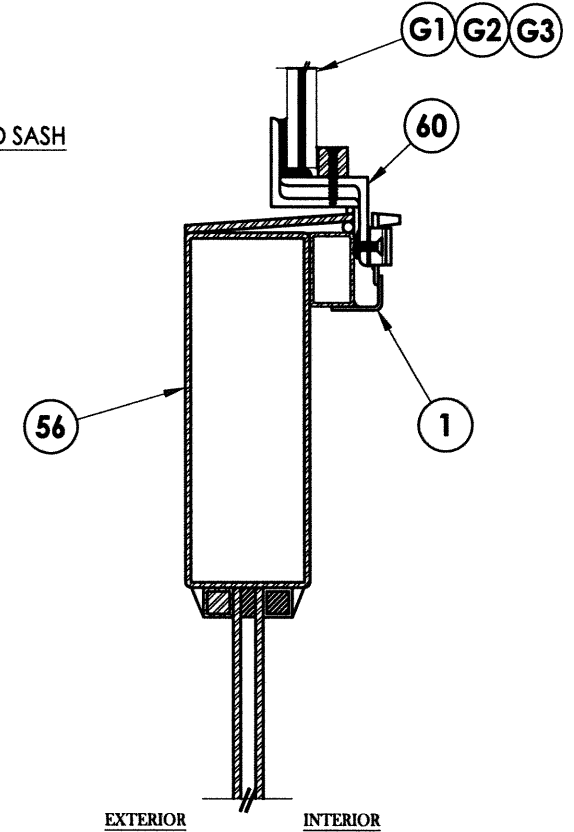
2 VERTICAL CROSS SECTION



3 VERTICAL CROSS SECTION



ALTERNATE FIXED SASH



4 VERTICAL CROSS SECTION

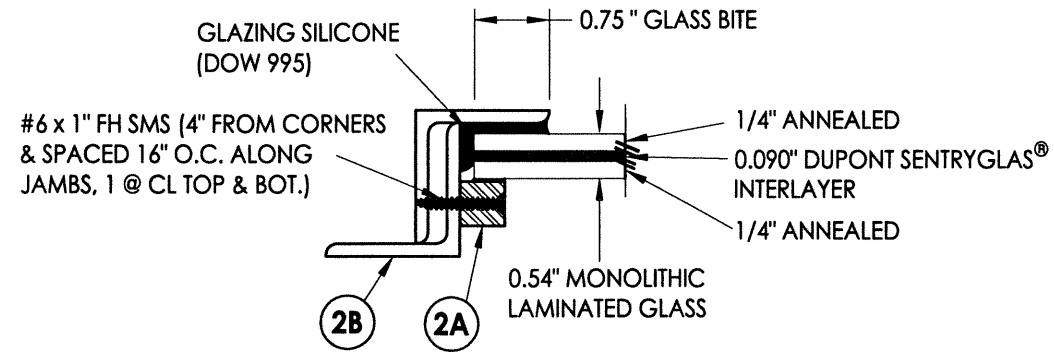
Documents Prepared By:

RW BUILDING CONSULTANTS, INC.
P.O. Box 230 Vairico FL 33595
Phone No.: 813.659.9197
Florida Board of Professional Engineers
Certificate of Authorization No. 9813
LF 12-30-13
Lyndon F. Schmidt, P.E. No. 43409

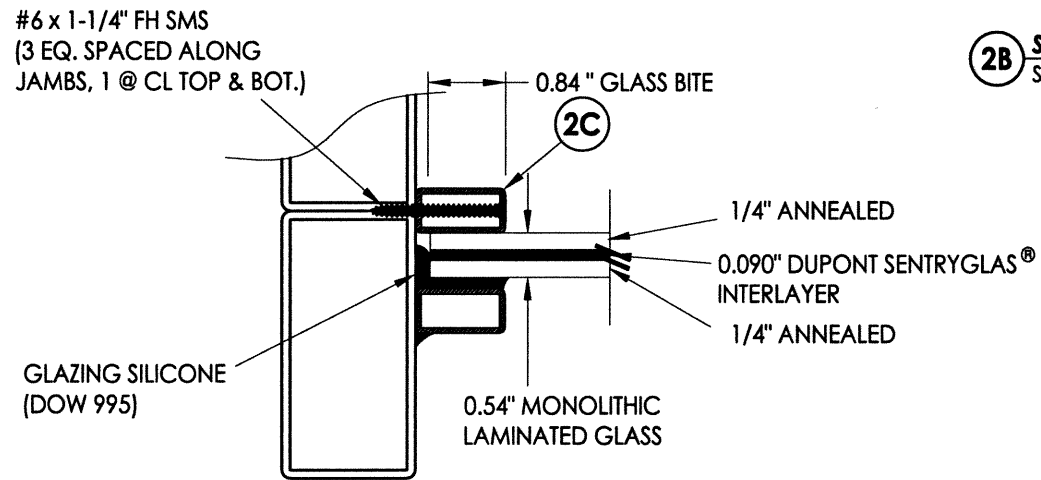
PRODUCT:	CLARK HALL IRON DOORS
PART OR ASSEMBLY:	SIDELITE PANEL DETAILS

NO.	DATE	BY	REVISIONS

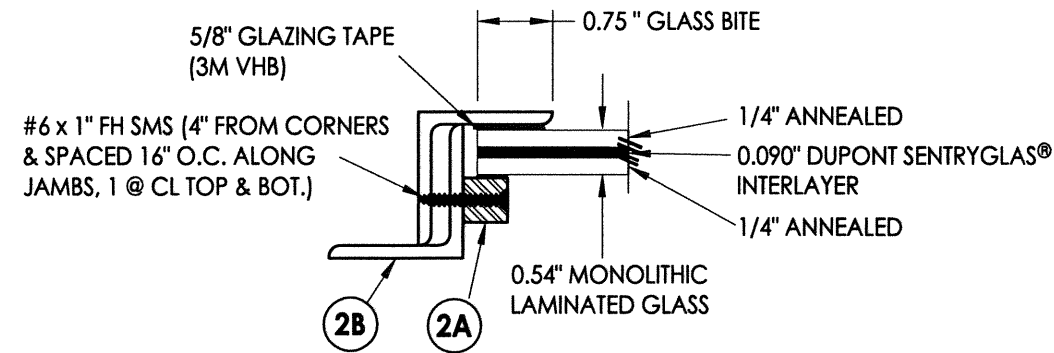
DATE:	11/8/13
SCALE:	N.T.S.
DWG. BY:	JK
CHK. BY:	LFS
DRAWING NO.:	FL-16663.8
SHEET	3 OF 11



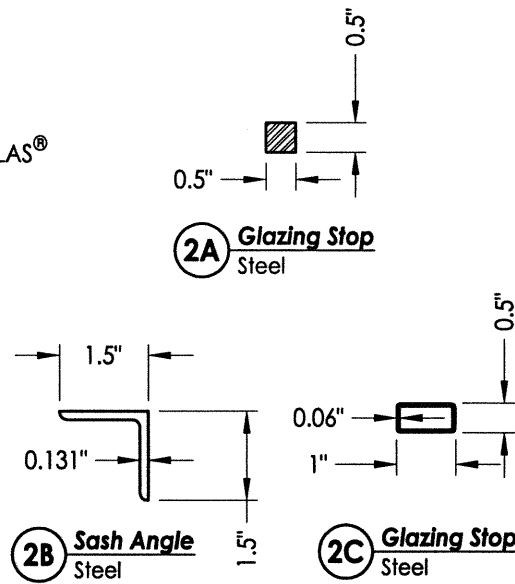
G1 GLAZING DETAIL
Operable Door/Sidelite



G2 GLAZING DETAIL
Fixed Sidelite/Transom

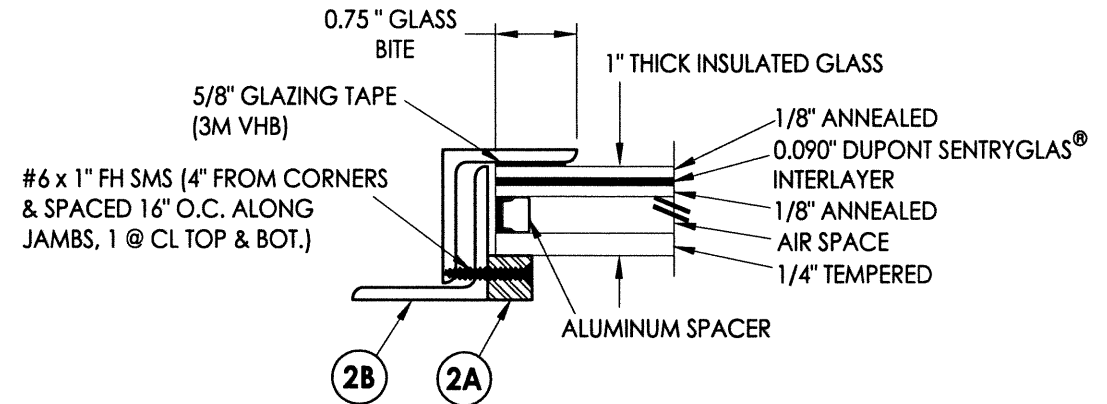


G3 GLAZING DETAIL
Operable Door/Sidelite

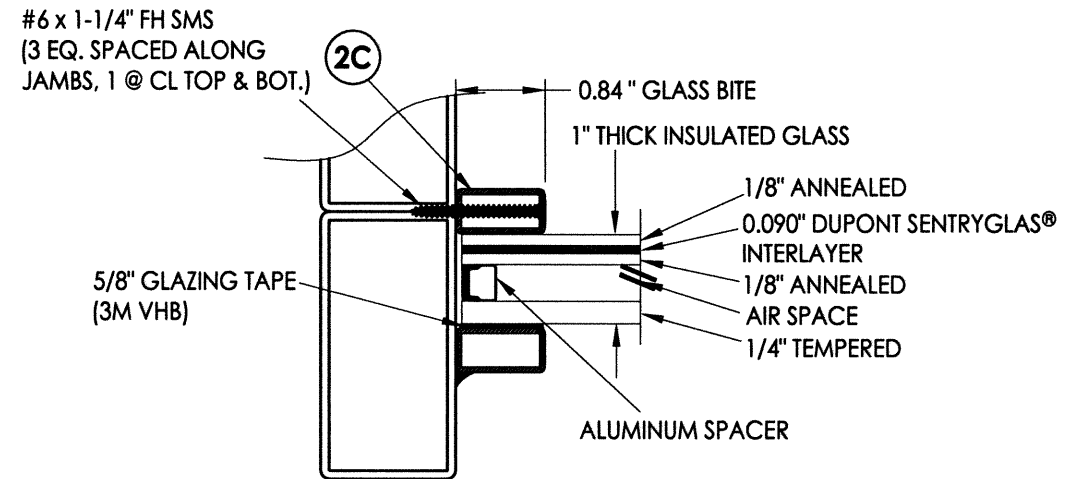


GLAZING DESIGN PRESSURE LIMITATIONS

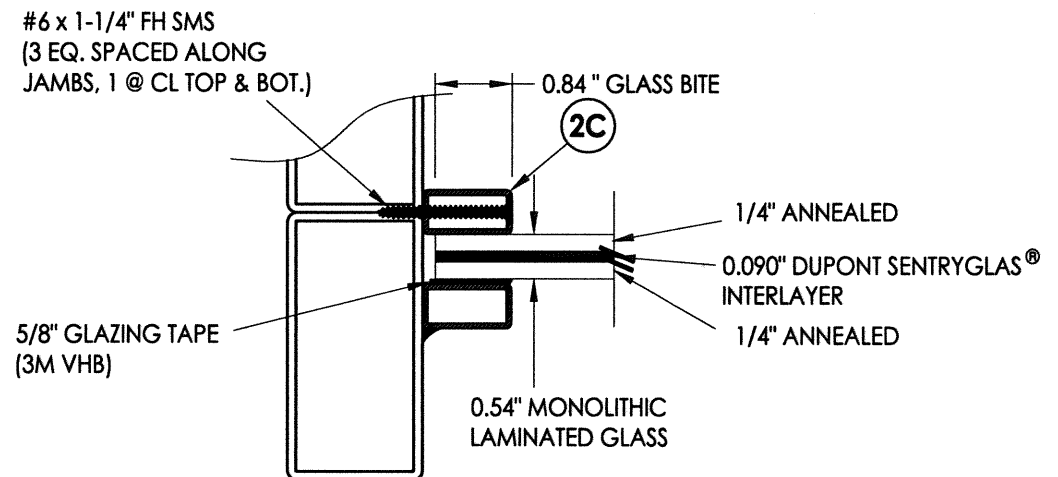
GLAZING	MAX. DESIGN PRESSURE (PSF)	
	POS.	NEG.
G1	+75.0	-75.0
G2, G3	+65.0	-65.0



G2 GLAZING DETAIL
Operable Door/Sidelite



G2 GLAZING DETAIL
Fixed Sidelite/Transom



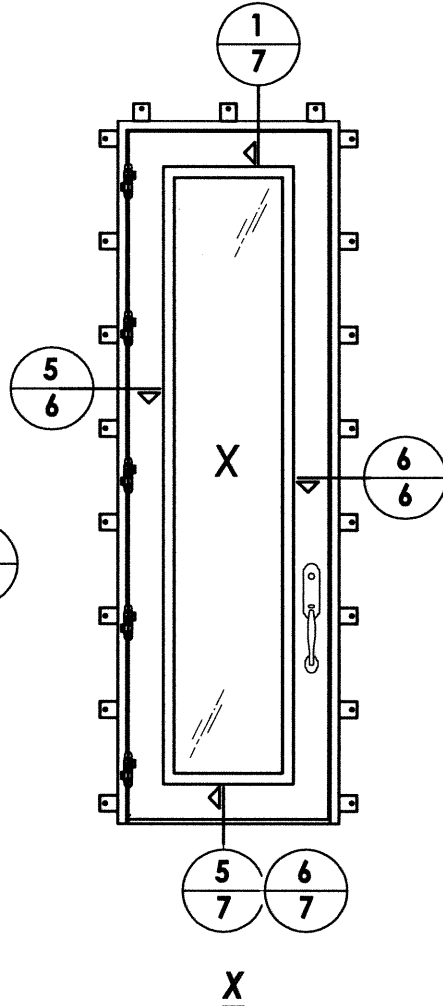
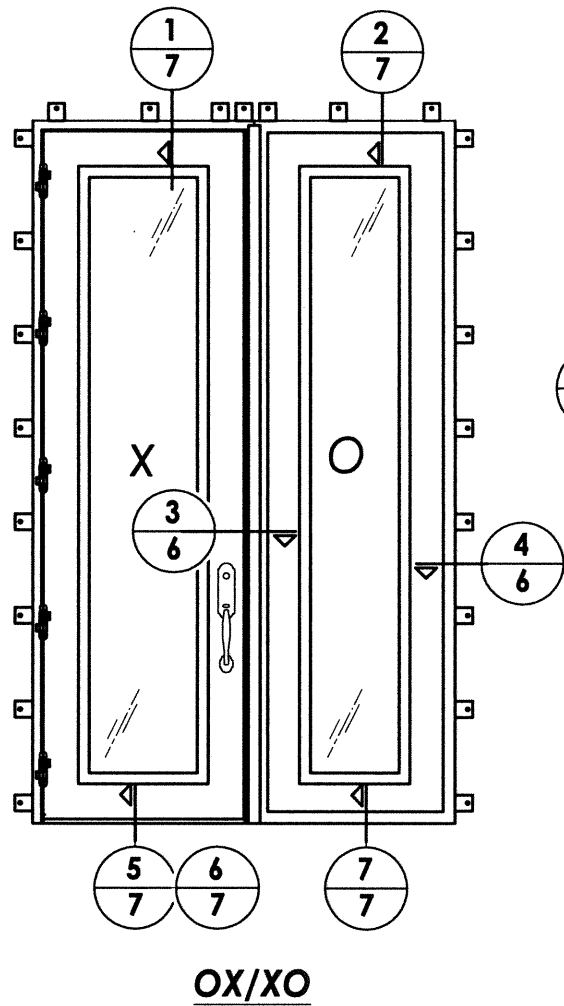
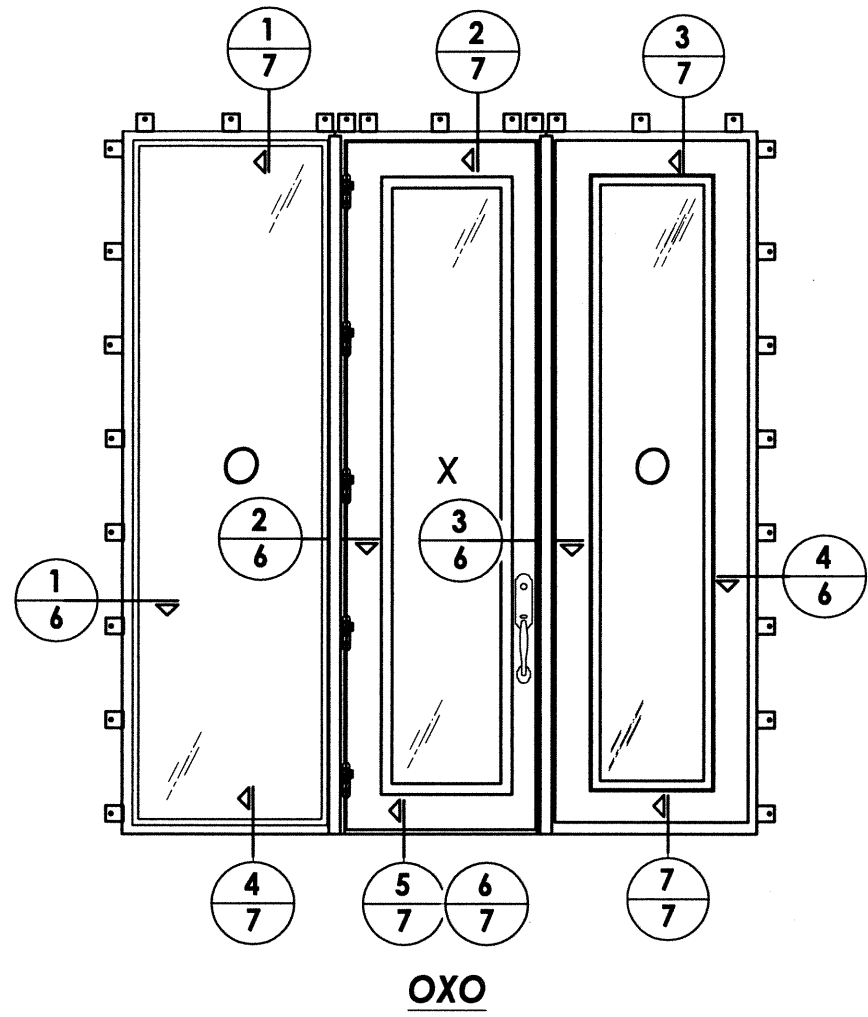
G3 GLAZING DETAIL
Fixed Sidelite/Transom

Documents Prepared By:
RW BUILDING CONSULTANTS, INC.
 P.O. Box 230 Valrico FL, 33595
 Phone No.: 813.659.9197
 Florida Board of Professional Engineers
 Certificate Of Authorization No. 9813
 12-26-13
 Lyndon F. Schmidt, P.E. No. 43409

PRODUCT: CLARK HALL IRON DOORS
 PART OR ASSEMBLY: GLAZING DETAILS

NO.	DATE	BY

DATE: 11/8/13
 SCALE: N.T.S.
 DWG. BY: JK
 CHK. BY: LFS
 DRAWING NO.: FL-16663.8
 SHEET 4 OF 11



LOCK HARDWARE DESIGN PRESSURE LIMITATIONS

MANUFACTURER	MODEL	MAX. DESIGN PRESSURE (PSF)	
		POS.	NEG.
EMTEK	TUBULAR ENTRY SET (SHERIDAN - 451812)	+75.0	-75.0
SUN VALLEY BRONZE ACCURATE LOCK & HARDWARE	LEVER/KNOB ENTRY SET (RIDGE: CS-421PLD) MORTISE LOCK	+65.0	-65.0
ASHLEY NORTON	TUBULAR ENTRY SET (SQTUB w/ 900 SERIES KNOB)	+65.0	-65.0
ASHLEY NORTON ACCURATE LOCK & HARDWARE	MORTISE LOCK (SQMOR w/ 900 SERIES KNOB) MORTISE LOCK	+65.0	-65.0

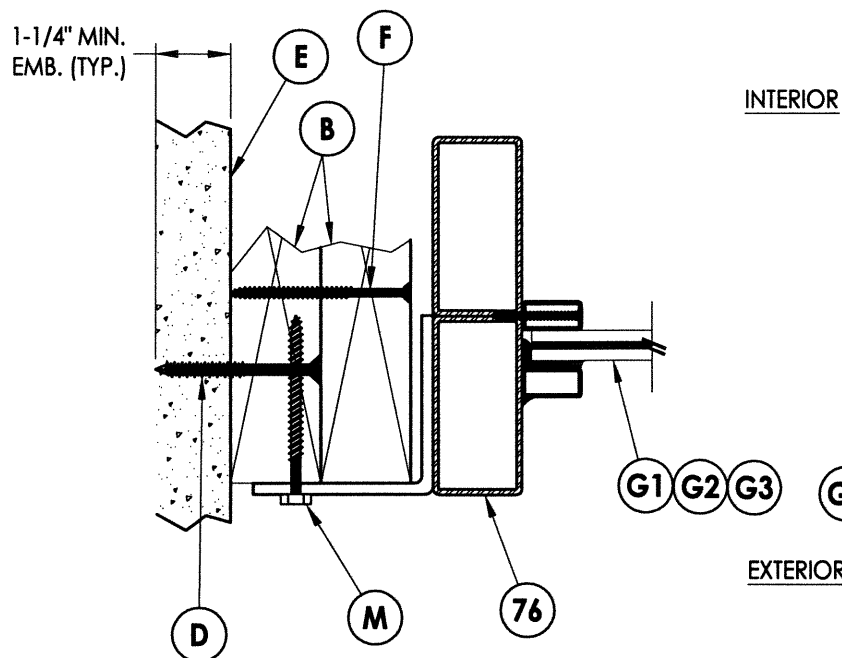
Documents Prepared By:
RW BUILDING CONSULTANTS, INC.
 P.O. Box 230 Valrico FL, 33595
 Phone No.: 813.659.9197
 Florida Board of Professional Engineers
 Certificate Of Authorization No. 9813
 Lyndon F. Schmidt, P.E. No. 43409

PRODUCT: CLARK HALL IRON DOORS
 PART OR ASSEMBLY: ELEVATIONS

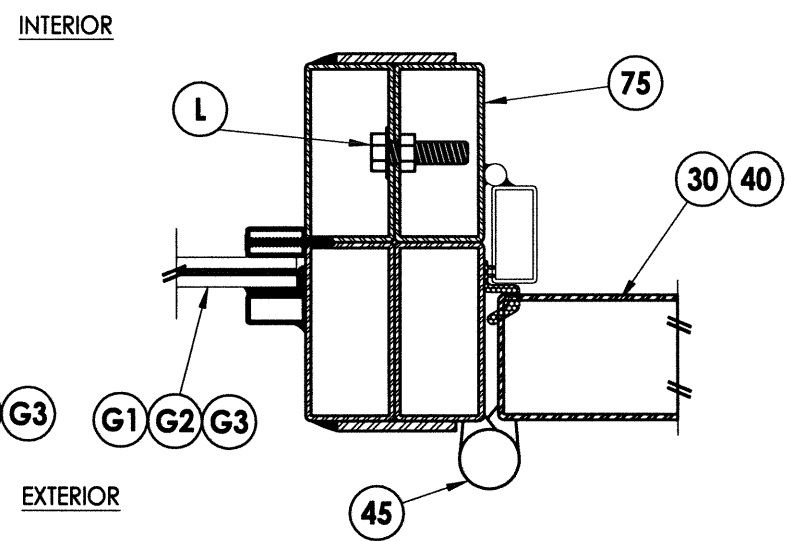
NO.	DATE	BY

DATE: 10/30/13
 SCALE: N.T.S.
 DWG. BY: JK
 CHK. BY: LFS
 DRAWING NO.: FL-16663.8
 SHEET 5 OF 11

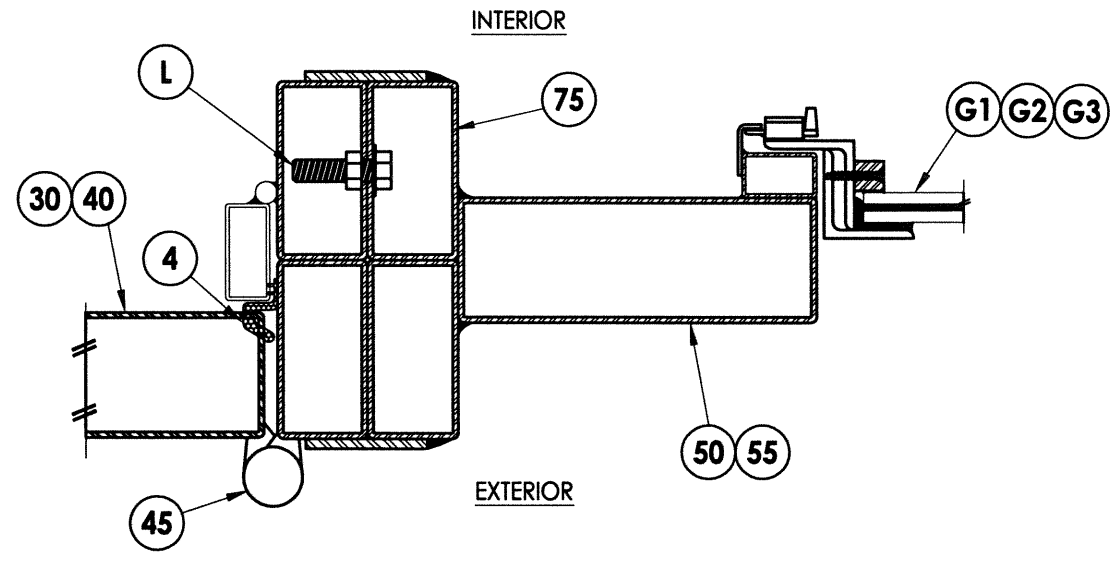
R:\A - Projects\Project Folders\Proj 1701 - 1800\PF 1733D. RWBC Drawings\FL-16663.7-9.dwg, 2.6



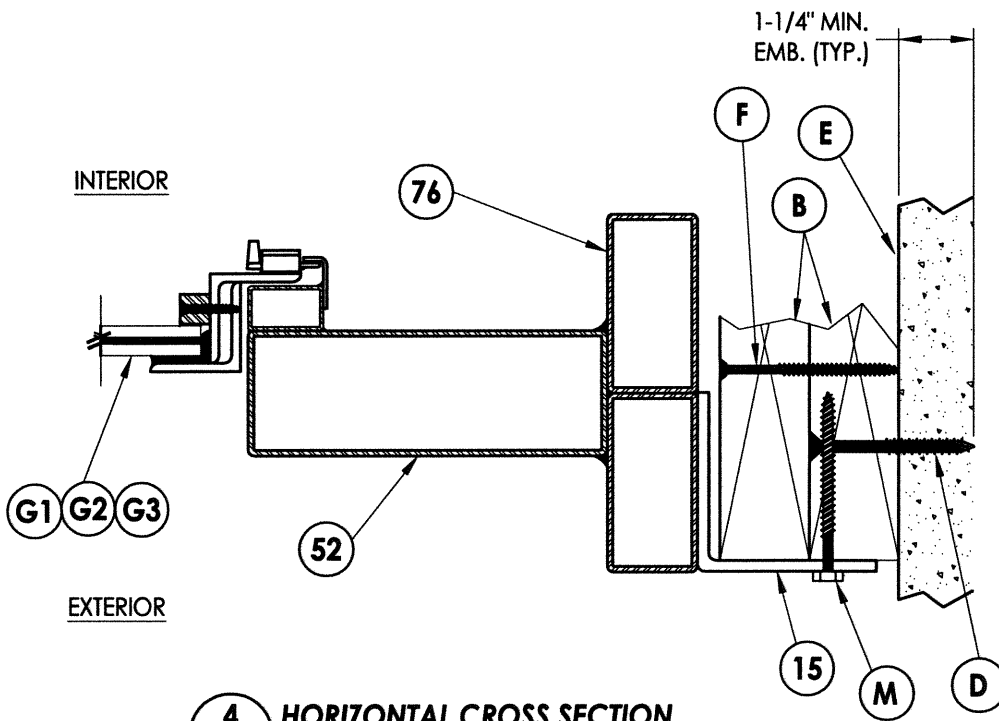
1
6 HORIZONTAL CROSS SECTION



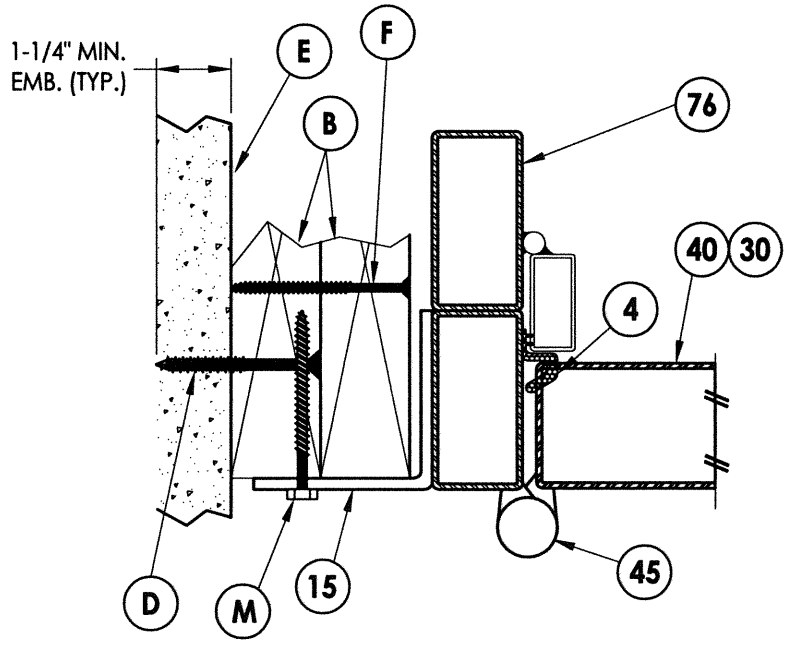
2
6 HORIZONTAL CROSS SECTION
Outswing Shown (Inswing Similar)



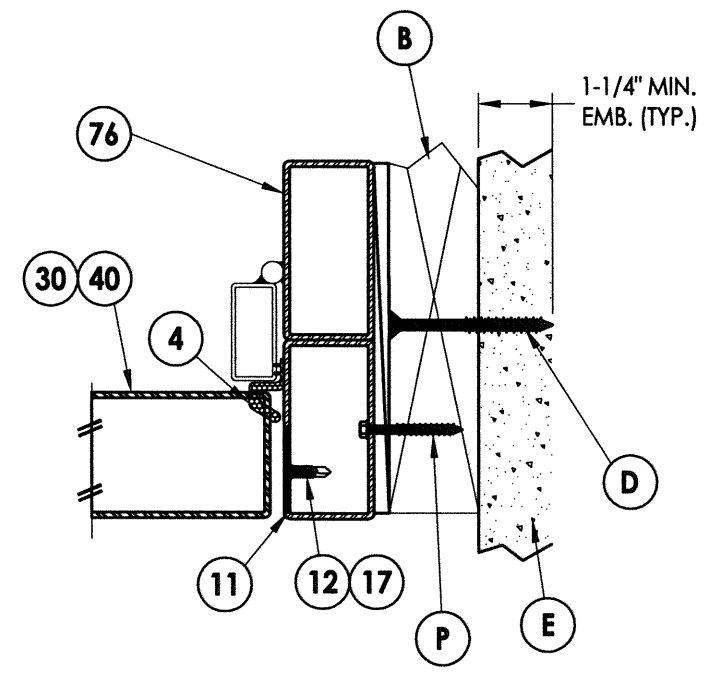
3
6 HORIZONTAL CROSS SECTION
Outswing Shown (Inswing Similar)



4
6 HORIZONTAL CROSS SECTION
Outswing Shown (Inswing Similar)



5
6 HORIZONTAL CROSS SECTION
Outswing Shown (Inswing Similar)



6
6 HORIZONTAL CROSS SECTION
Shown w/ Optional Through the Frame Anchoring

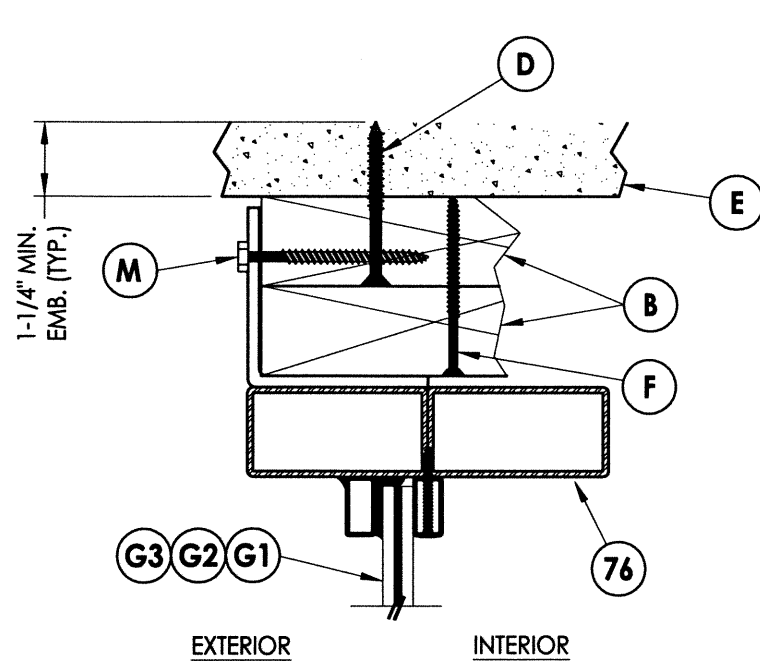
Documents Prepared By:
RW BUILDING CONSULTANTS, INC.
P.O. Box 230 Valrico FL 33595
Phone No.: 813.659.9197
Florida Board of Professional Engineers
Certificate of Authorization No. 9813
LFS 12.30.13
Lyndon F. Schmidt, P.E. No. 43409

PRODUCT: CLARK HALL IRON DOORS
PART OR ASSEMBLY: HORIZONTAL CROSS SECTIONS

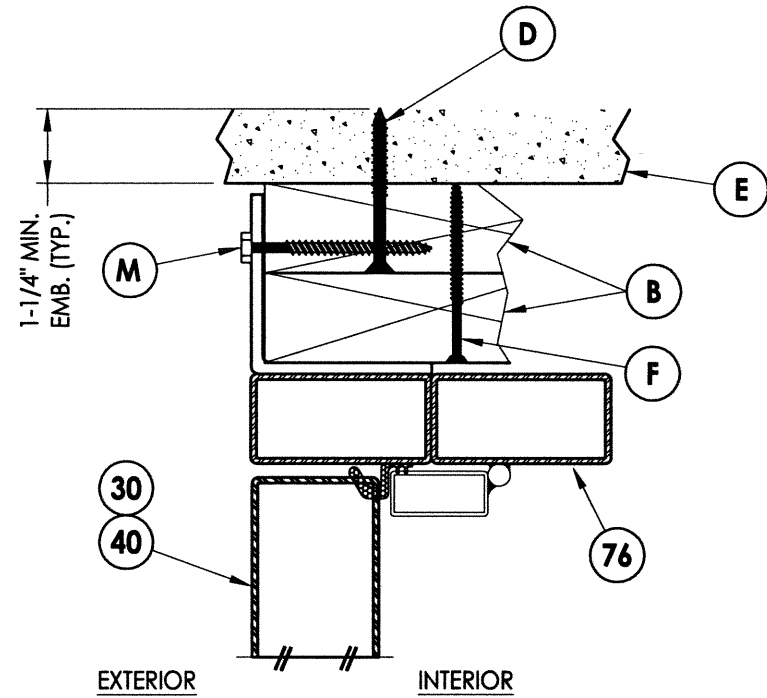
NO.	DATE	BY

DATE: 10/30/13
SCALE: N.T.S.
DWG. BY: JK
CHK. BY: LFS
DRAWING NO.: FL-16663.8
SHEET 6 OF 11

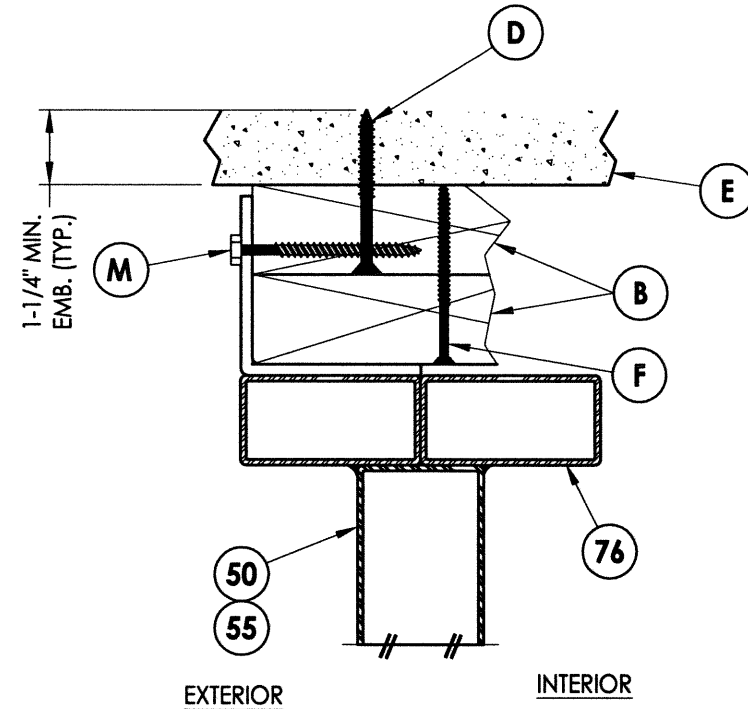
© 2013 R.W. BUILDING CONSULTANTS INC.



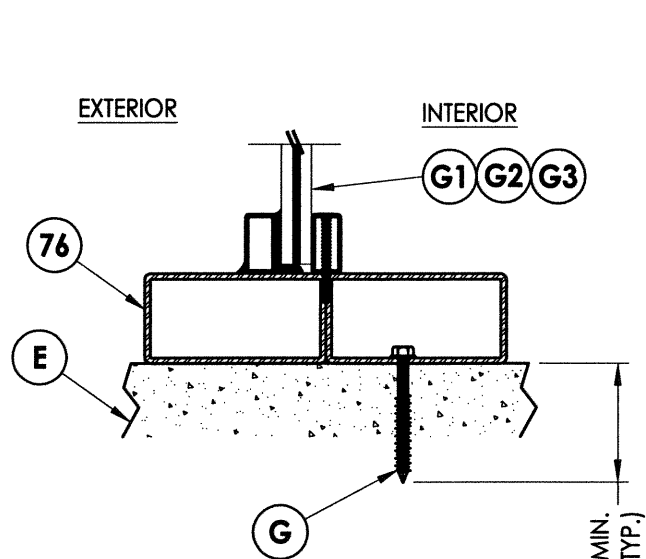
1 VERTICAL CROSS SECTION
7 Outswing Shown (Inswing Similar)



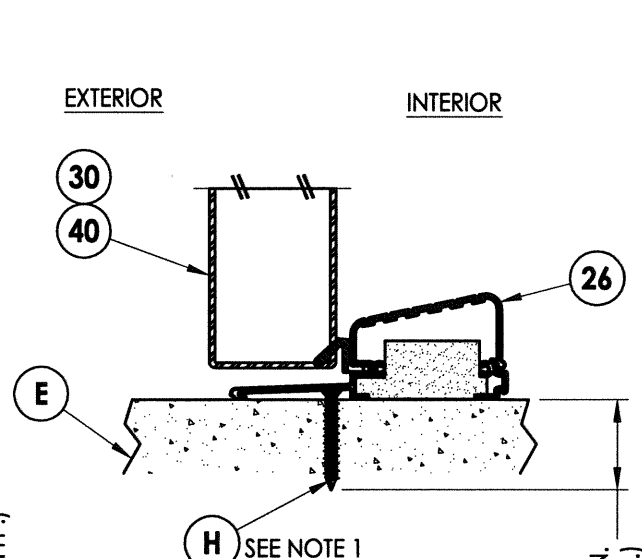
2 VERTICAL CROSS SECTION
7 Outswing Shown (Inswing Similar)



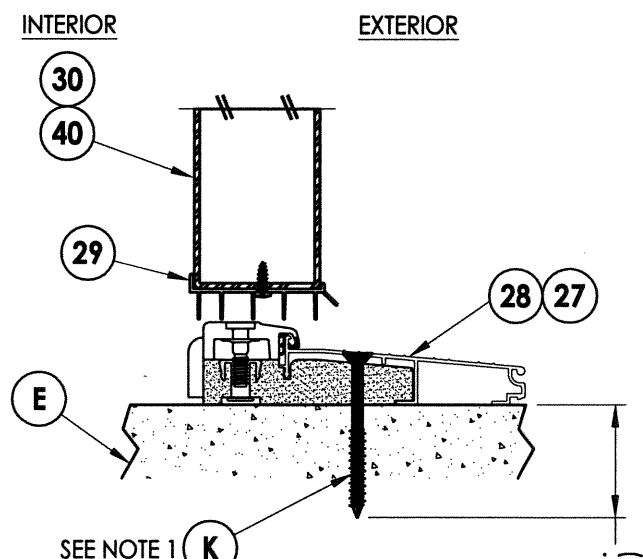
3 VERTICAL CROSS SECTION
7 Outswing Shown (Inswing Similar)



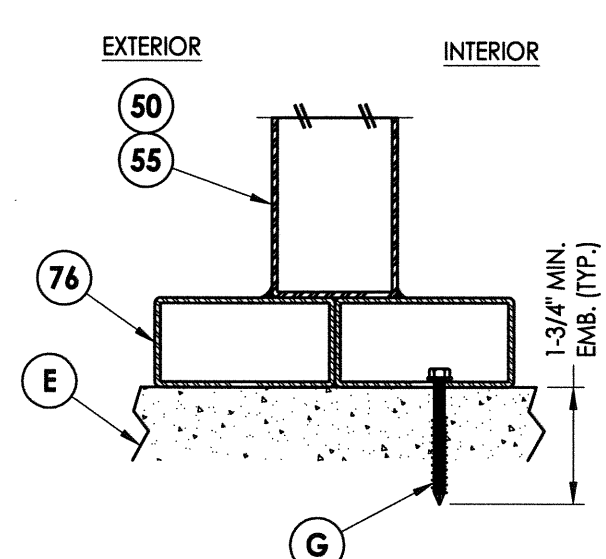
4 VERTICAL CROSS SECTION
7 Outswing Shown (Inswing Similar)



5 VERTICAL CROSS SECTION
7



6 VERTICAL CROSS SECTION
7



7 VERTICAL CROSS SECTION
7 Outswing Shown (Inswing Similar)

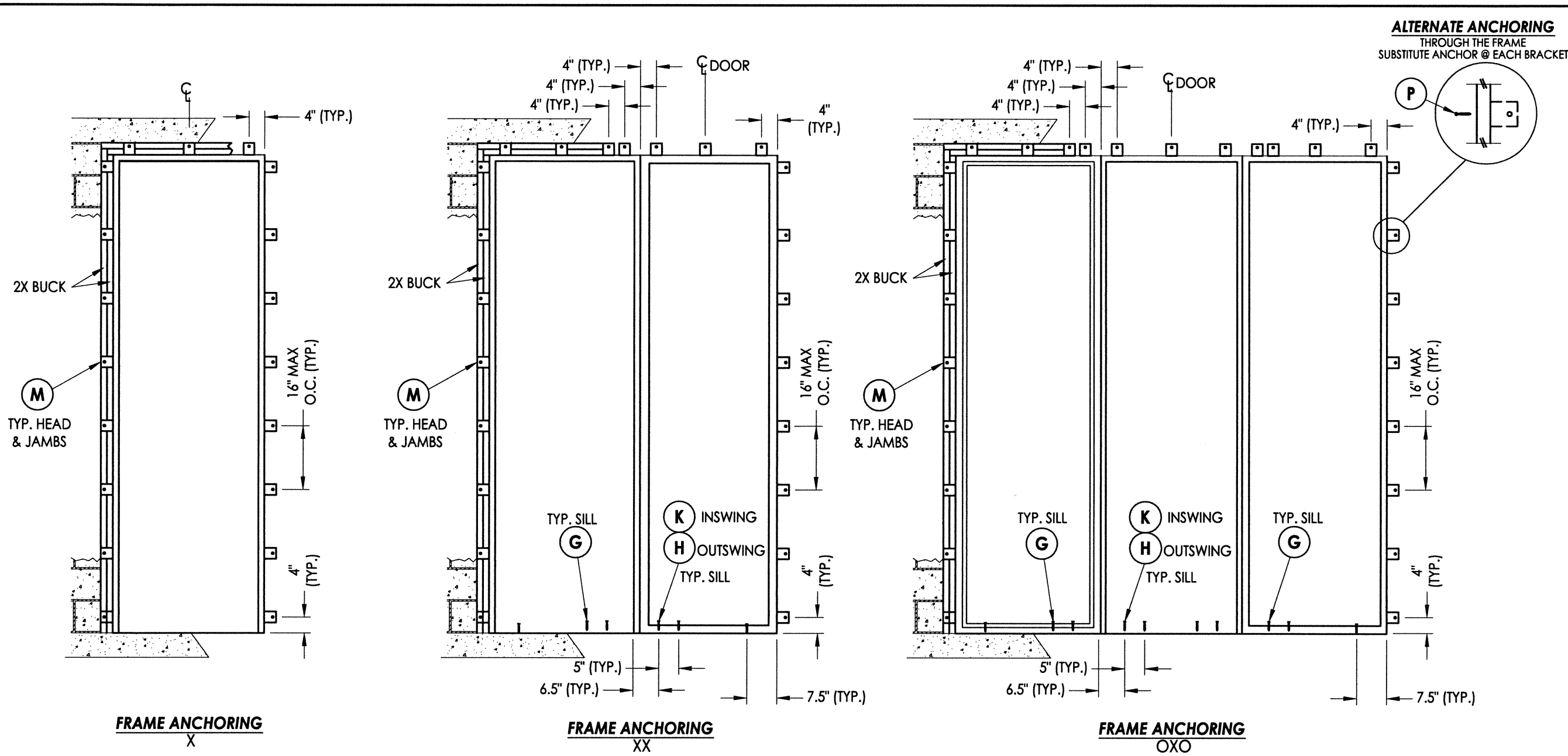
NOTE:
1. Sill anchor is not required for Single Door (X).

Documents Prepared By:
RW BUILDING CONSULTANTS, INC.
P.O. Box 230 Valrico FL 33595
Phone No.: 813.659.9197
Florida Board of Professional Engineers
Certificate of Authorization No. 9813
12-30-13
Lyndon F. Schmidt, P.E. No. 43409

PRODUCT: CLARK HALL IRON DOORS
PART OR ASSEMBLY: VERTICAL CROSS SECTIONS

NO.	DATE	BY

DATE: 10/30/13
SCALE: N.T.S.
DWG. BY: JK
CHK. BY: LFS
DRAWING NO.: FL-16663.8
SHEET 7 OF 11



FRAME ANCHORING
X

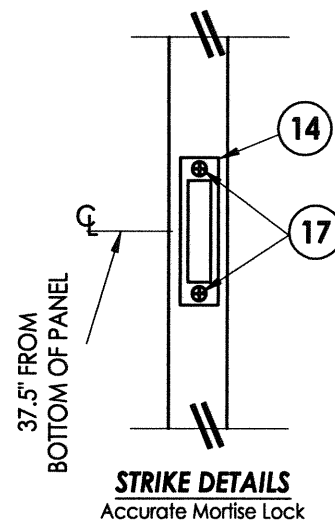
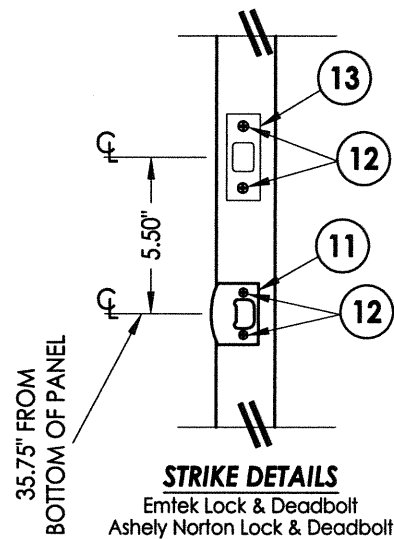
FRAME ANCHORING
XX

FRAME ANCHORING
OXO

CONCRETE ANCHOR NOTES:

- Concrete anchor locations at the corners may be adjusted to maintain the min. edge distance to mortar joints.
- Concrete anchor locations noted as "MAX. ON CENTER" must be adjusted to maintain the min. edge distance to mortar joints, additional concrete anchors may be required to ensure the "MAX. ON CENTER" dimension are not exceeded.
- Concrete anchor table:

ANCHOR TYPE	ANCHOR SIZE	MIN. EMBEDMENT	MIN. CLEARANCE TO MASONRY EDGE	MIN. CLEARANCE TO ADJACENT ANCHOR
ITW TAPCON®	3/16"	1-1/4"	3"	2-1/2"
	1/4"	1-1/4"	2-1/2"	4"
	5/16" (XL)	1-3/4"	2-1/2"	5"
ELCO ULTRACON®	1/4"	1-1/4"	2-1/2"	4"
	5/16"	1-3/4"	2-1/2"	5"



ALTERNATE ANCHORING
THROUGH THE FRAME
SUBSTITUTE ANCHOR @ EACH BRACKET

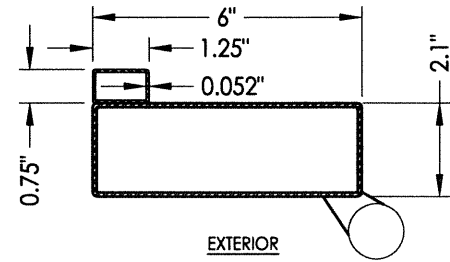
Documents Prepared By: *RW* BUILDING CONSULTANTS, INC.
P.O. Box 230 Valrico FL 33595
Phone No.: 813.659.9197
Florida Board of Professional Engineers
Certificate Of Authorization No. 9813
17R-12-30-17
Lyndon F. Schmidt, P.E. No. 43409

PRODUCT: CLARK HALL IRON DOORS
PART OR ASSEMBLY: FRAME ANCHORING

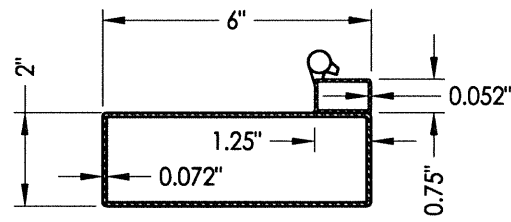
NO.	DATE	BY	REVISIONS

DATE: 10/30/13
SCALE: N.T.S.
DWG. BY: JK
CHK. BY: LFS
DRAWING NO.: FL-16663.8
SHEET 9 OF 11

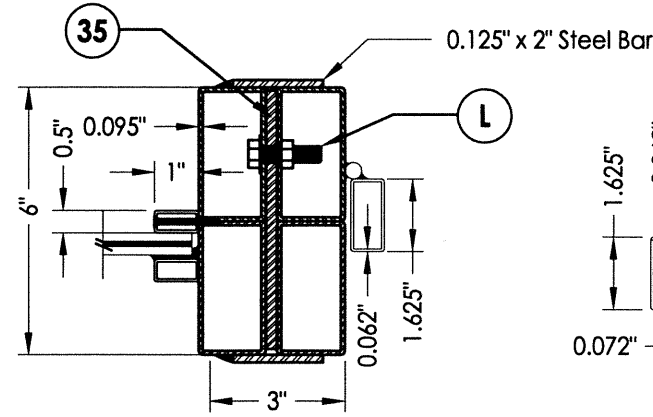
© 2013 R.W. BUILDING CONSULTANTS INC.



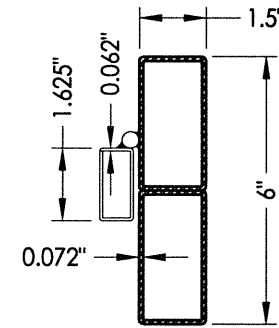
31 Full Lite Door Panel
Active Hinge Stile



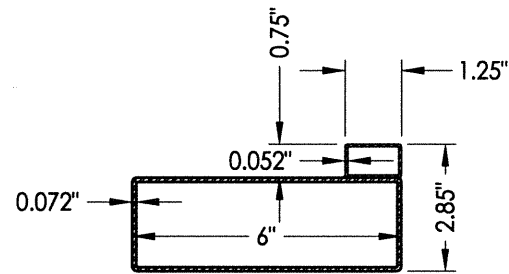
51 Sidelite Panel
Operable Sash Hinge Stile



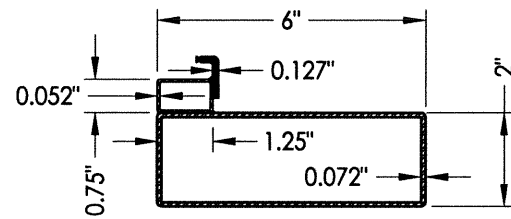
75 MULLION
Vertical with Direct Set Sidelite shown
(Horizontal Mullion Similar)



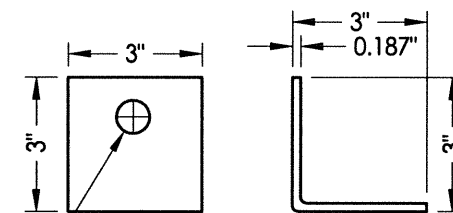
76 Jamb



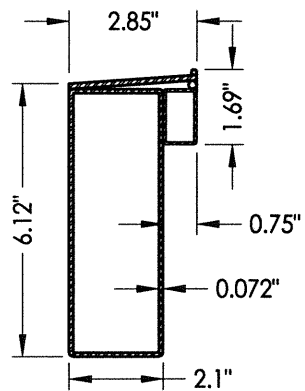
32 Full Lite Door Panel
Active Latch Stile



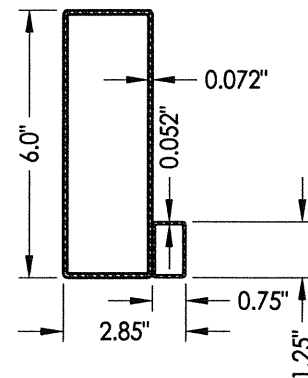
52 Sidelite Panel
Operable Sash Latch Stile



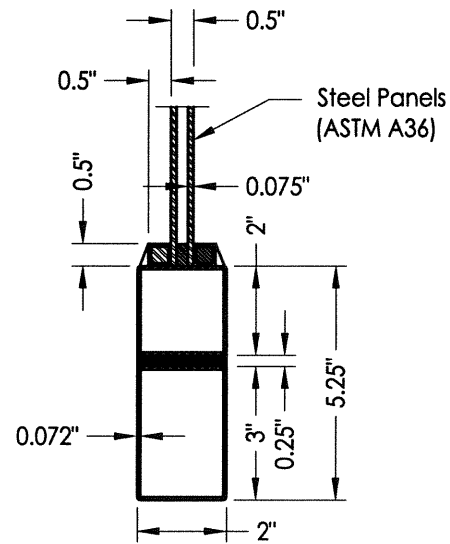
15 ANCHOR BRACKET



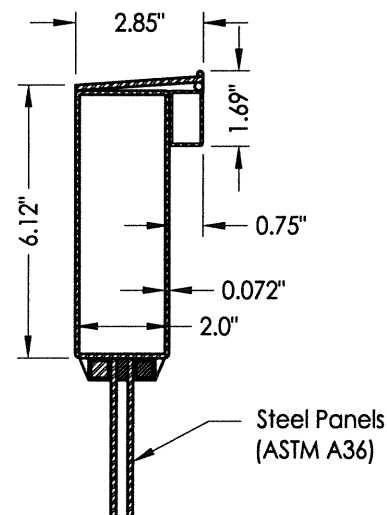
43 Full Lite Door Panel
Bottom Rail



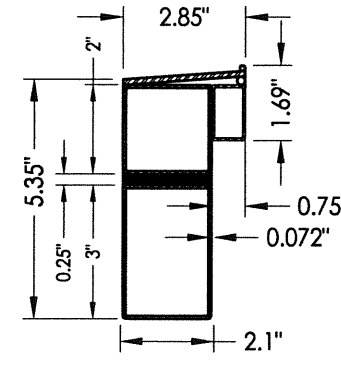
44 Full Lite Door Panel
Top Rail



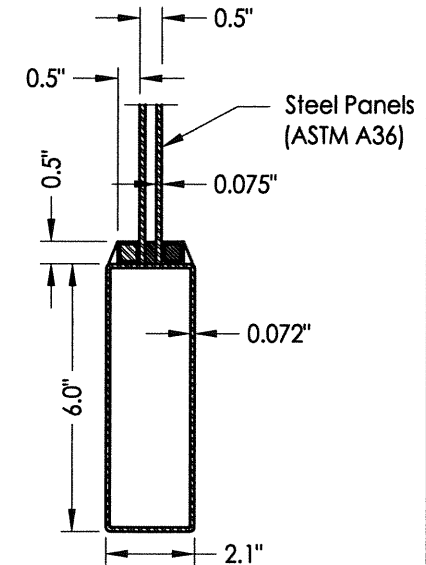
54 Bottom Rail
3/4 Lite Sidelite Panel



56 Mid Rail
3/4 Lite Sidelite Panel



53 Bottom Rail
Sidelite Panel



57 Bottom Rail
3/4 Lite Door Panel

DATE:	10/30/13
SCALE:	N.T.S.
DWG. BY:	JK
CHK. BY:	LFS
DRAWING NO.:	FL-16663.8
SHEET	10 OF 11

PRODUCT: CLARK HALL IRON DOORS

PART OR ASSEMBLY: COMPONENTS

Documents Prepared By:

RW BUILDING CONSULTANTS, INC.
P.O. Box 230 Valrico FL 33595
Phone No.: 813.659.9197
Florida Board of Professional Engineers
Certificate Of Authorization No. 9813
12.30.13
Lyndon F. Schmidt, P.E. No. 43409

